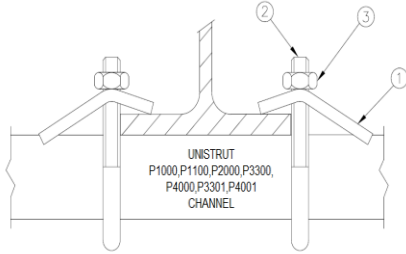


P2785-6-7 CH series

Issue : A
Date: Aug-14

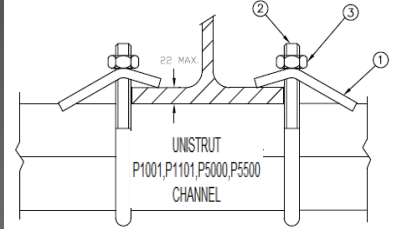
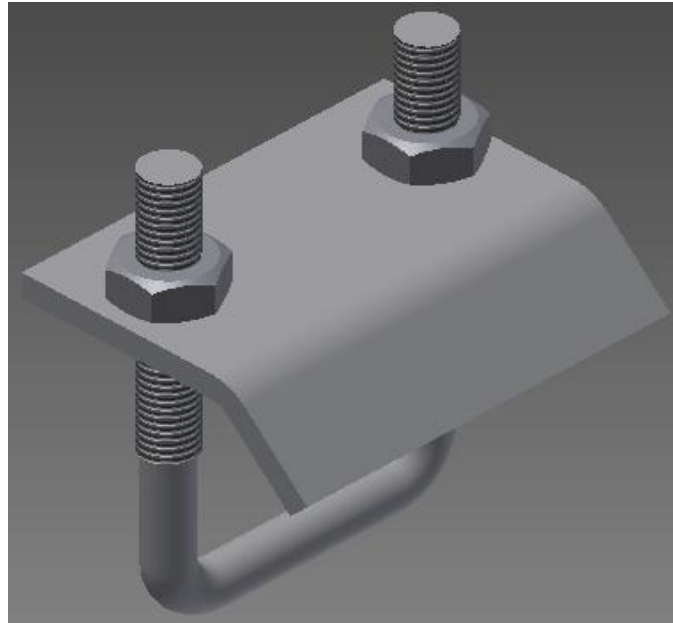
Product Data Sheet

P2785-6-7 series Beam Clamps



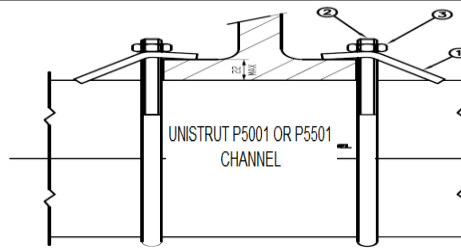
- ① - CLAMP PLATE
- ② - 'U' BOLT
- ③ - M10 HEX NUT.

P2785**



- ① - CLAMP PLATE
- ② - 'U' BOLT
- ③ - M10 HEX NUT.

P2786**



- ① - CLAMP PLATE
- ② - 'U' BOLT
- ③ - M10 HEX NUT.

P2787**

Part Number	Item Weight	Box Weight	No.per Box	Design Load Each* 326 Kg (3.20 kN)		Finish		Channel Height
						HG	SS	
P2785	0.36 kgs.	7.435 Kg	20	Acceptable loading per pair of Clamps:- X 2 = 6.4 kN (652 kgs.) * - use in pairs only	3.2	✓	✓	21-41mm
P2786	0.40 kgs.	8.235 Kg	20			✓	✓	62-83mm
P2787	0.45 kgs.	9.235 Kg	20			✓		124-164mm

Stated loadings apply to mild steel products only.

Application:- Beam Clamps to suit P1000,P1100,P2000,P3300,P4000,P5500,P5000,P1001,P1101,P3301,P4001,P5501 & P5001 Channel.
See Illustrations

Material:-
 1 Clamp Plate Mild Steel to Q345 Spec.
 2 U-Bolt Q195 spec. Grade 4.8.
 3 M10 Hex. Nut Steel to Grade 8 specification.

Finishes:-
 1 Clamp Plate Hot Dip Galvanized - Process in accordance with BS EN ISO 1461 to a mean coating thickness (minimum) of 55µm.
 2 U-Bolt Hot Dip Galvanised to BS EN ISO 1461 (Centrifuged).
 3 M10 Hex. Nut Bright Zinc Plated

Stainless Steel

Material:-
 1 Clamp Plate Stainless Steel SUS316
 2 U-Bolt Stainless Steel SUS316 S6-70
 3 M10 Hex. Nut Stainless Steel SUS316

Finishes:-
 1 Clamp Plate Stainless Steel SUS316
 2 U-Bolt Stainless Steel SUS316 S6-70
 3 M10 Hex. Nut Stainless Steel SUS316

UNISTRUT HEALTH & SAFETY DATA SHEET REF'S:

No. 001 - PLAIN STEEL, PRE-GALVANIZED, GALVANIZED AND STAINLESS STEEL COMPONENTS
 No. 099 - HOT DIP GALVANIZING (CHANNEL & COMPONENTS)